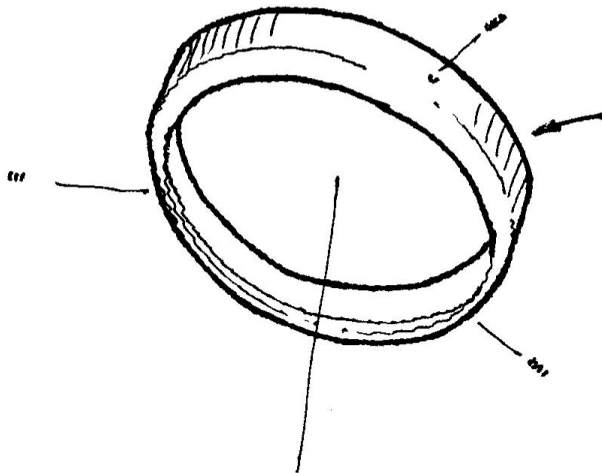


RH - UNSCREW

STOP SCREW

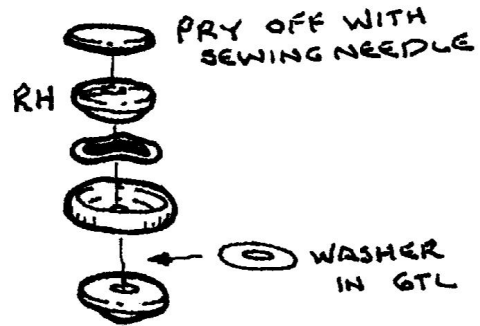
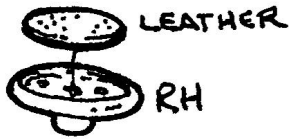


SOME CAMERAS
HAVE GRIP RING
OVER LENS RING
- REMOVE SET SCREWS
& LIFT OFF

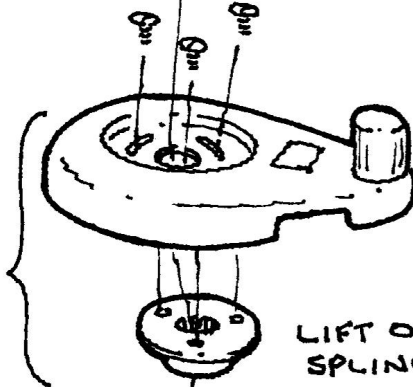
WIND LEVER. FRAME COUNTER

PRAKTISIX

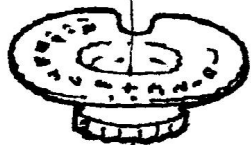
PENTACON SIX



LEVER AND HUB CAN STAY TOGETHER

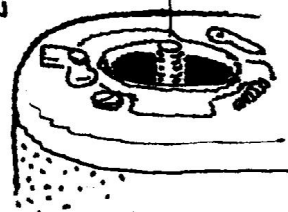
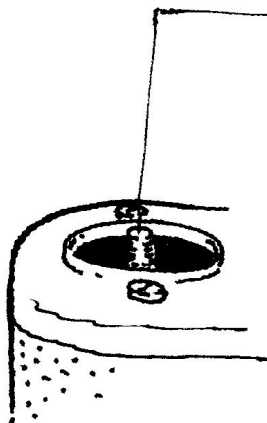


ON PENTACON SIX, THESE CAN STAY ON TOP COVER. ROTATE DIAL TO ALIGN NOTCH WITH SCREW.



HOOKS ON SLAT IN COUNTER DIAL

HOOKS ON PIN UNDER SCREW HEAD AT FRONT RH CORNER OF BODY.

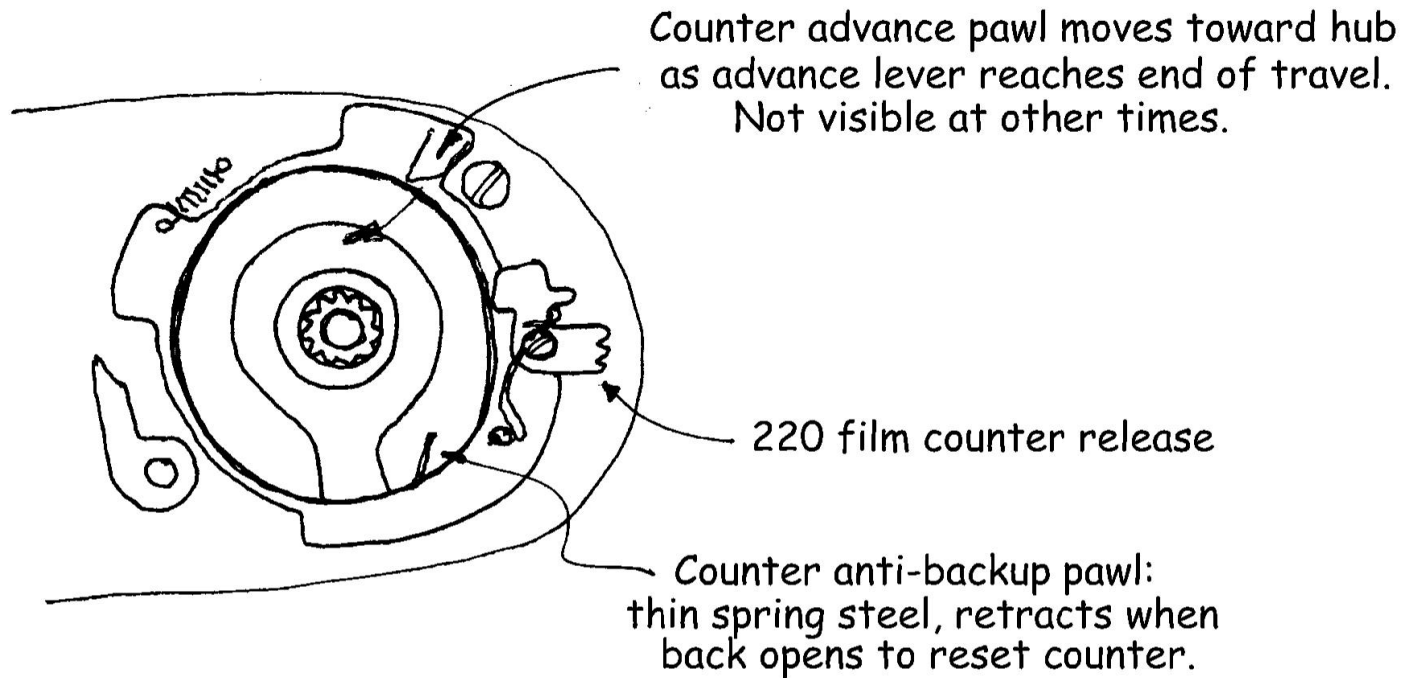


PRAKTISIX

PENTACON SIX

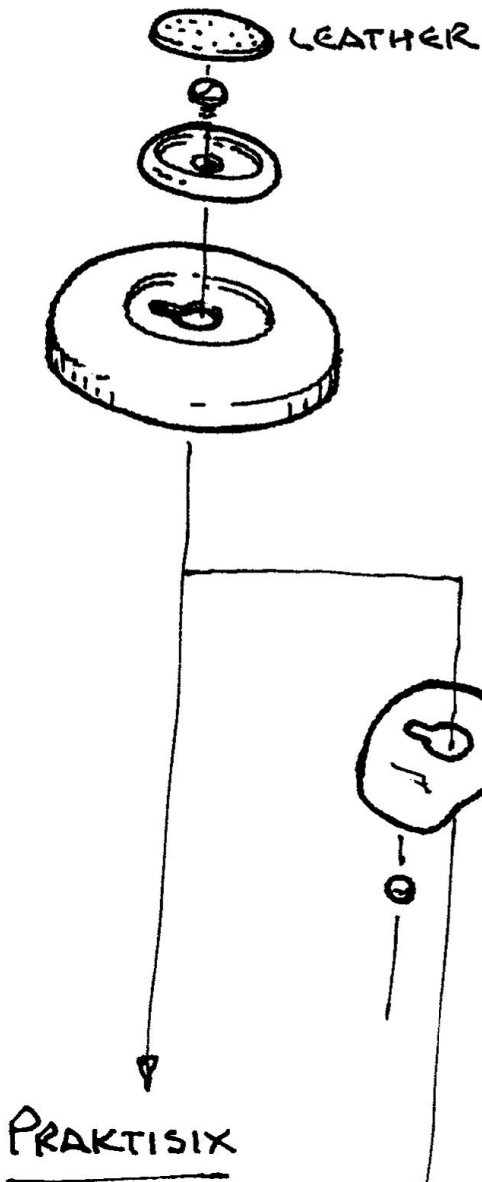
Frame Counter Details

Pentacon Six ONLY; Praktisix has a different mechanism.

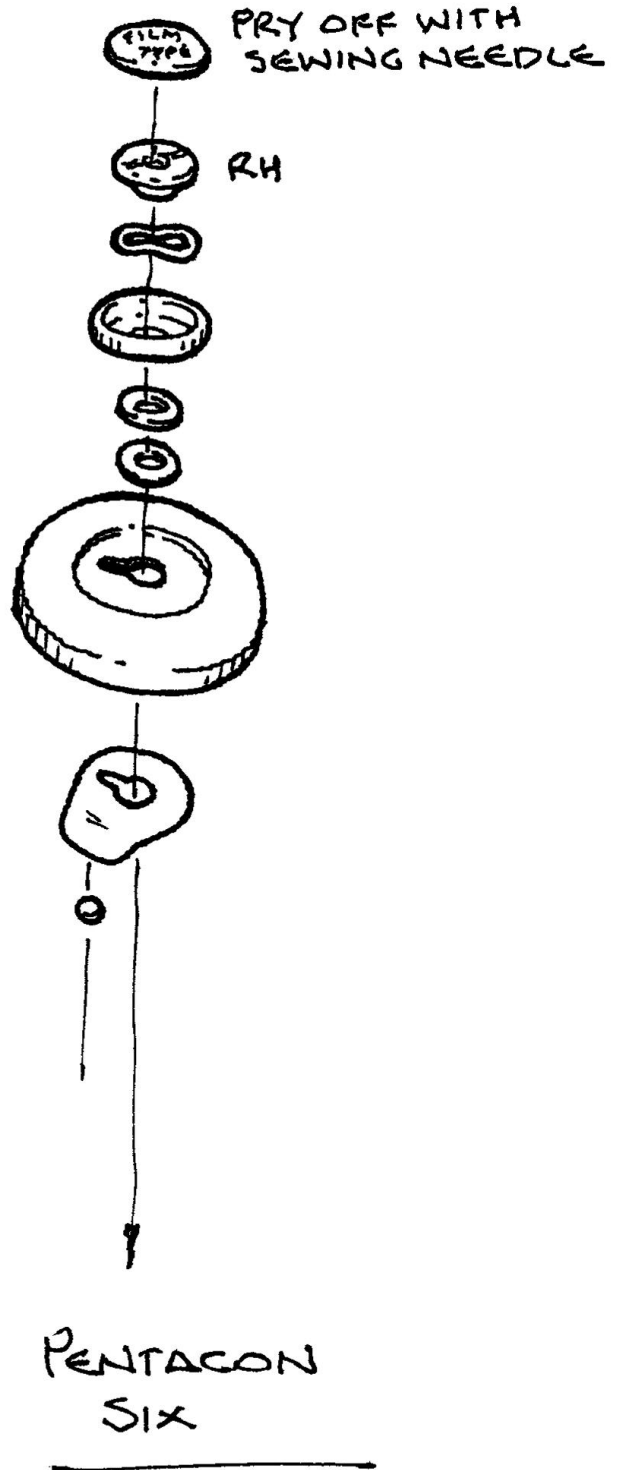


If the frame counter doesn't advance, chances are it is jammed by the auto-reset coil spring under the dial. Remove dial, reset and try again.

SHUTTER SPEED DIAL



PRAKTISIX II



This stuff stays on top cover

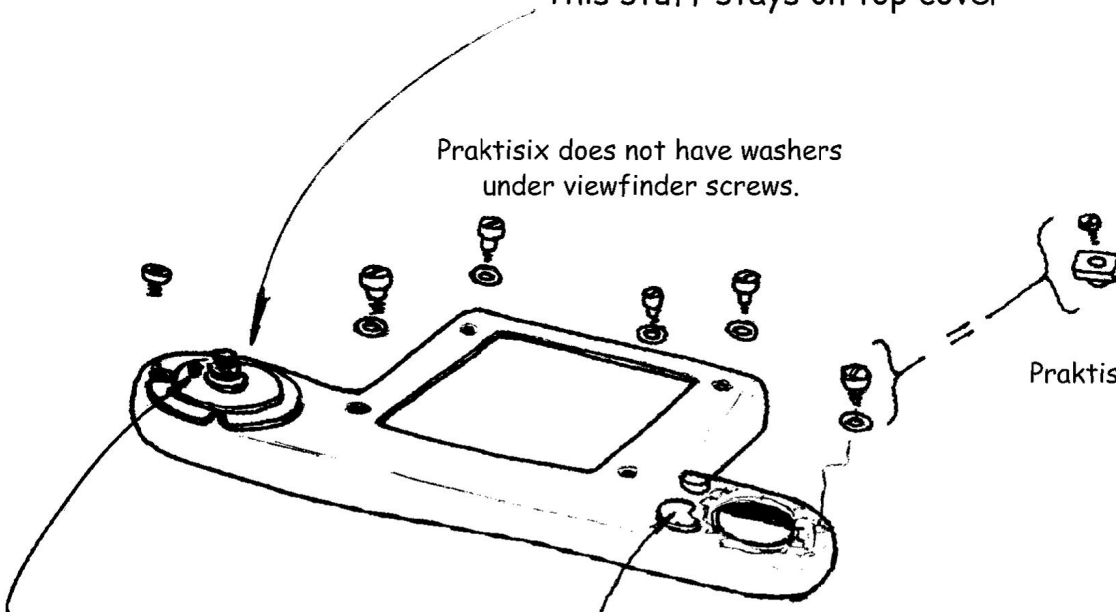
Praktisix does not have washers under viewfinder screws.

Some Pentacons have block under screw; some just have screw.

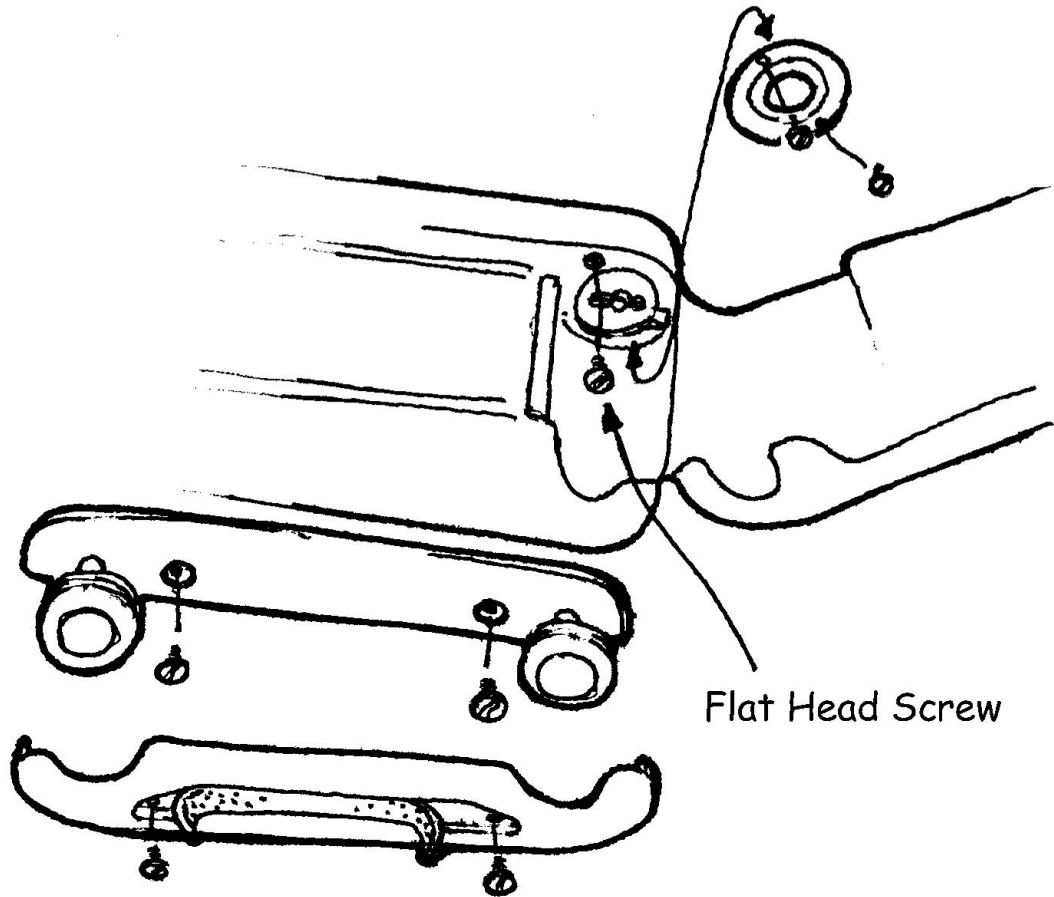
Praktisix has 2 screws at RH end.

Coupling pin is press fit into disc:
If it slips downward, SS dial
can slip out of register and
read incorrectly. Make
sure pin is secure.

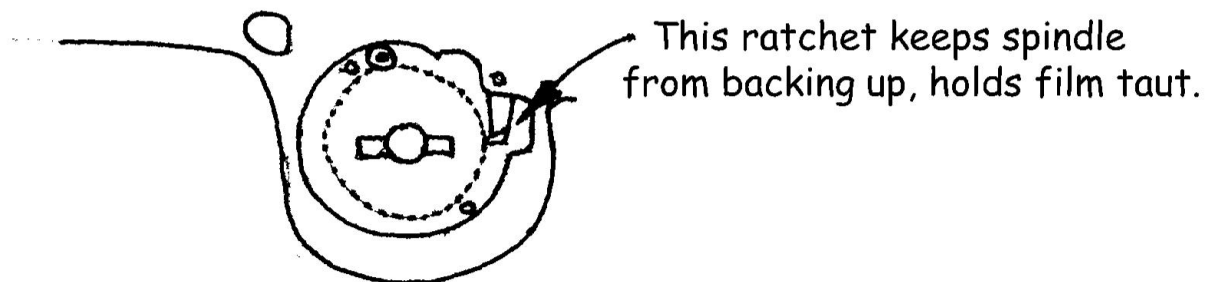
Rotate CCW during reassembly

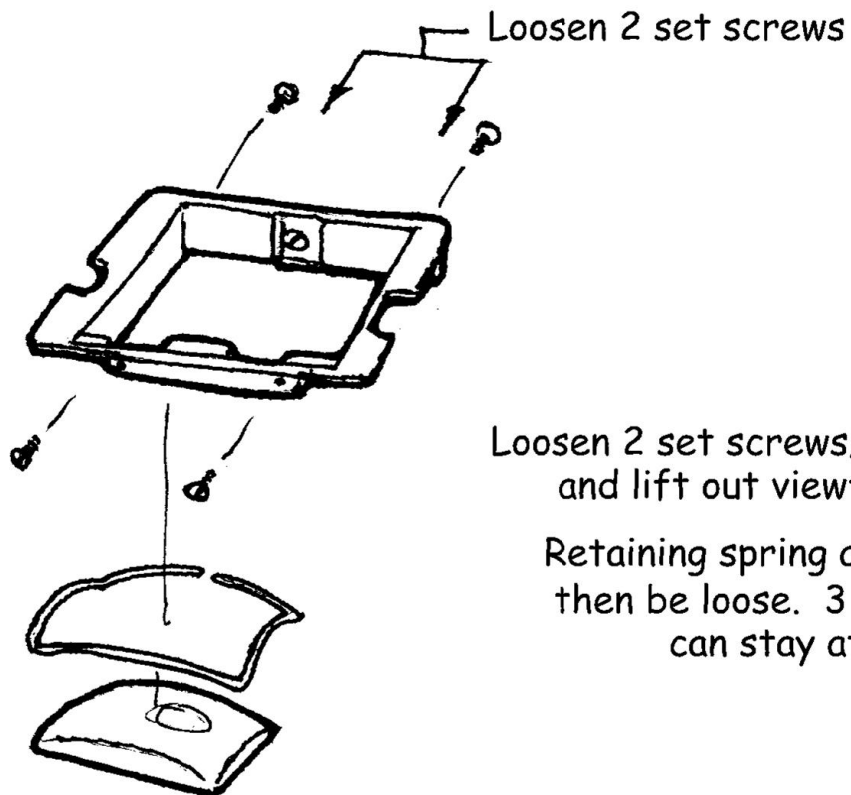


This page is for Pentacon Six ONLY.
Does not apply to Praktisix.



Remove bottom fascia, spool mount
& round fascia plate around takeup
spindle; remove FH screw under
round fascia plate.

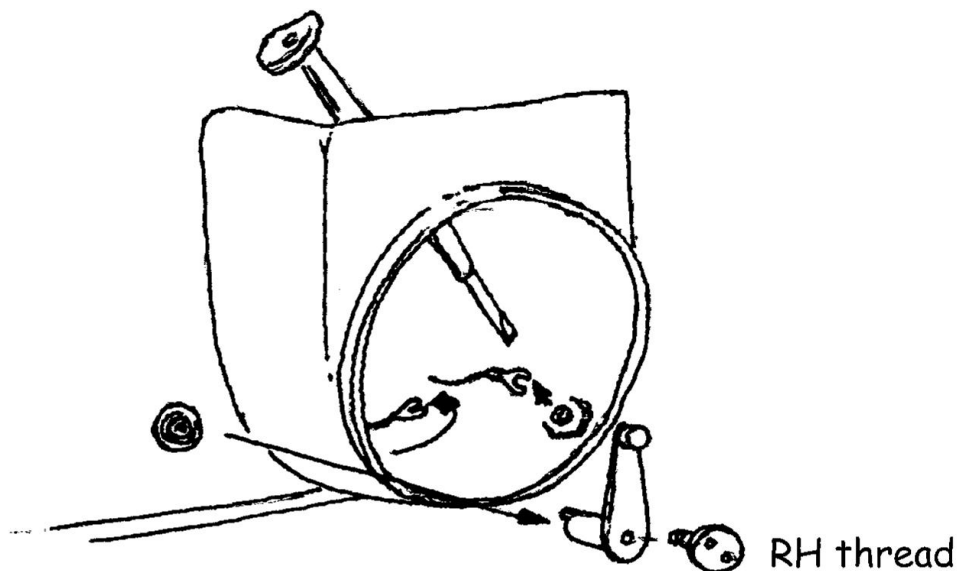




Loosen 2 set screws; remove 4 screws and lift out viewfinder frame.

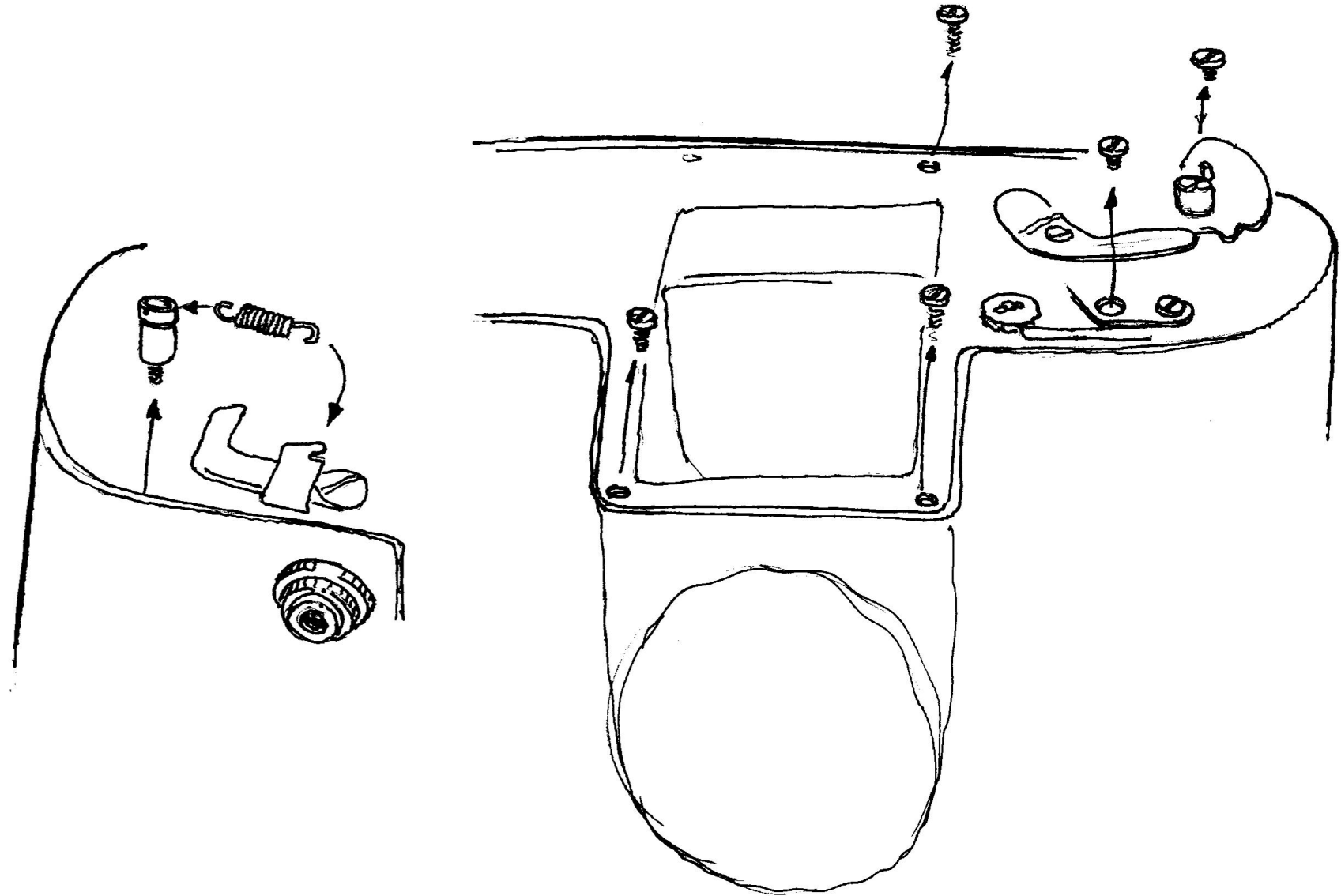
Retaining spring and screen will then be loose. 3 clips in frame can stay attached.

Remove self timer lever. Reach screwdriver through viewfinder opening (with shutter cocked) and unhook synch wires (some have 1, some have 2)



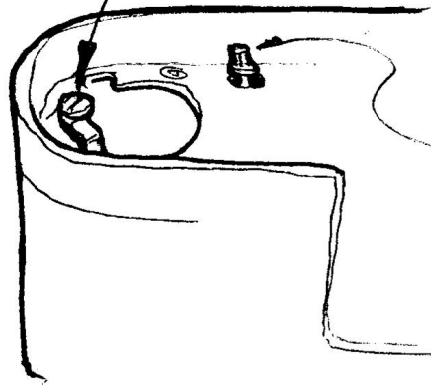
(Pentacon Six Only; see other pages for Praktisix and Praktisix II)

Last screws holding shutter chassis
in body. After removal, lift chassis
straight up and out of body shell.



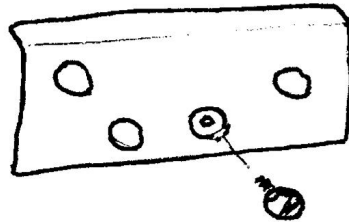
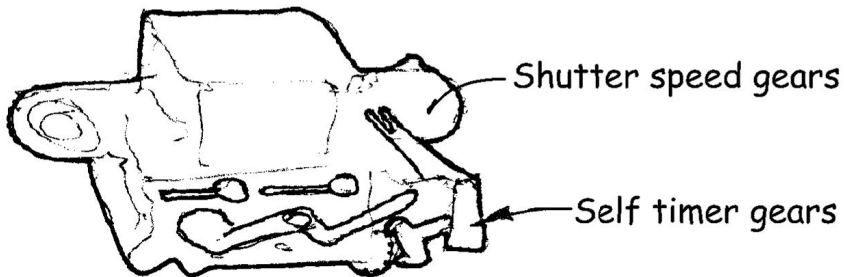
After removing shutter module:

This is the anti-backup pawl for the film wind spindle. Hold it back from below while reinstalling shutter.



Film counting roller is loose - watch for it at reassembly.
(Pentacon only; there is no roller in Praktisix or Praktisix II)

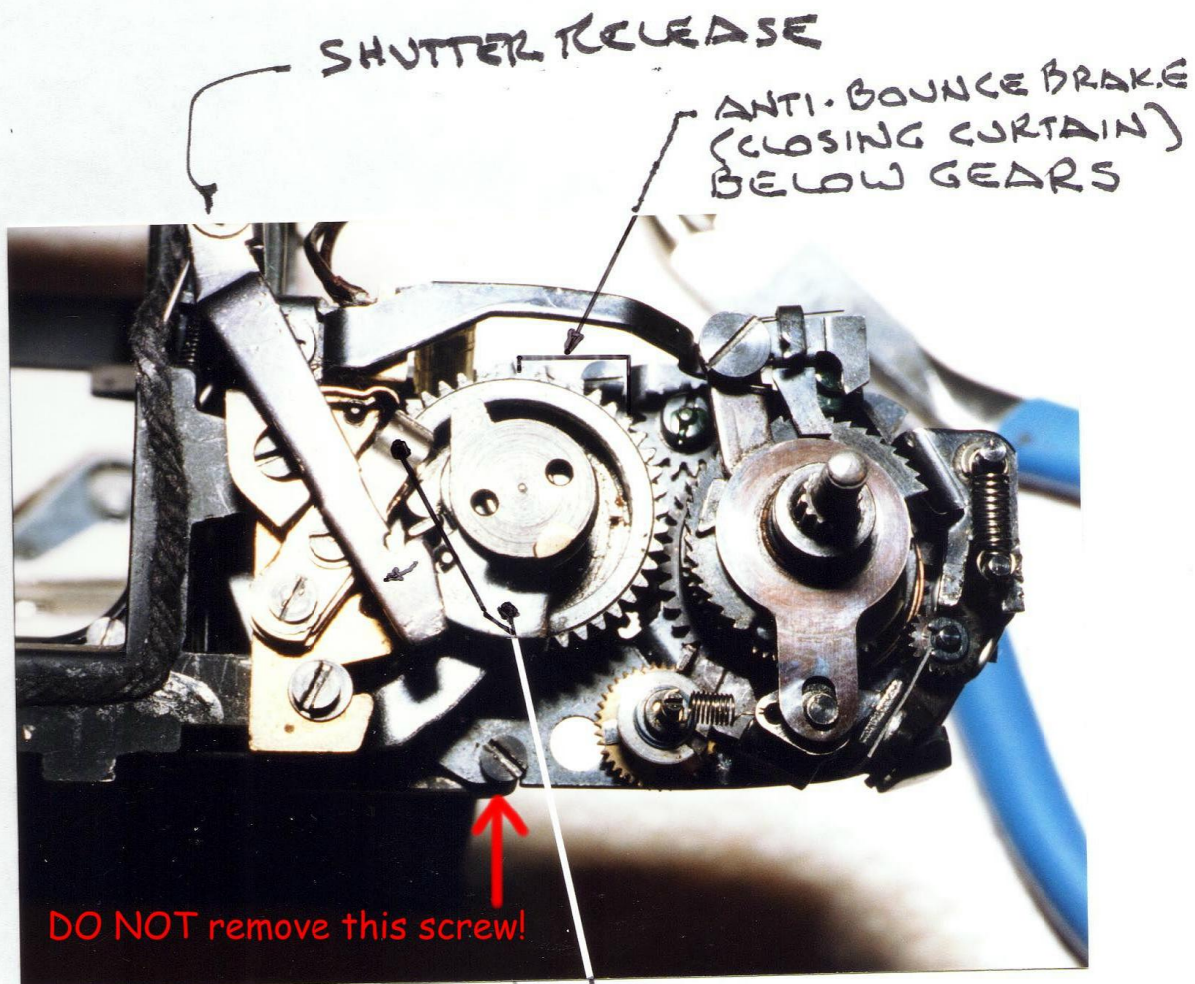
Self Timer - accessible after removing shutter module
(located under floor of mirror box)



One screw holds self timer cover in Pentacon Six; no screw in Praktisix.

PENTACON 6

SHUTTER CONTROL GEARS - COCKED POSITION



X-SYNCH CONTACT IS INSIDE OPENING
ANTI-BOUNCE BRAKE. IF TOO TIGHT,
FLASH MAY NOT FIRE.

IF CLOSING BRAKE IS TOO TIGHT,
SHUTTER MAY FAIL TO CAP
AT LEFT-HAND EDGE.

PENTACON 6

SHUTTER
RELEASE

ANTI-BOUNCE CLUTCH

COCKING LEVER

CONTROL GEAR #1
(#2 BELOW)

SHUTTER CONTROL GEARS:
UNCOCKED POSITION ↴

#2
SPINDLE
#2 SCREW

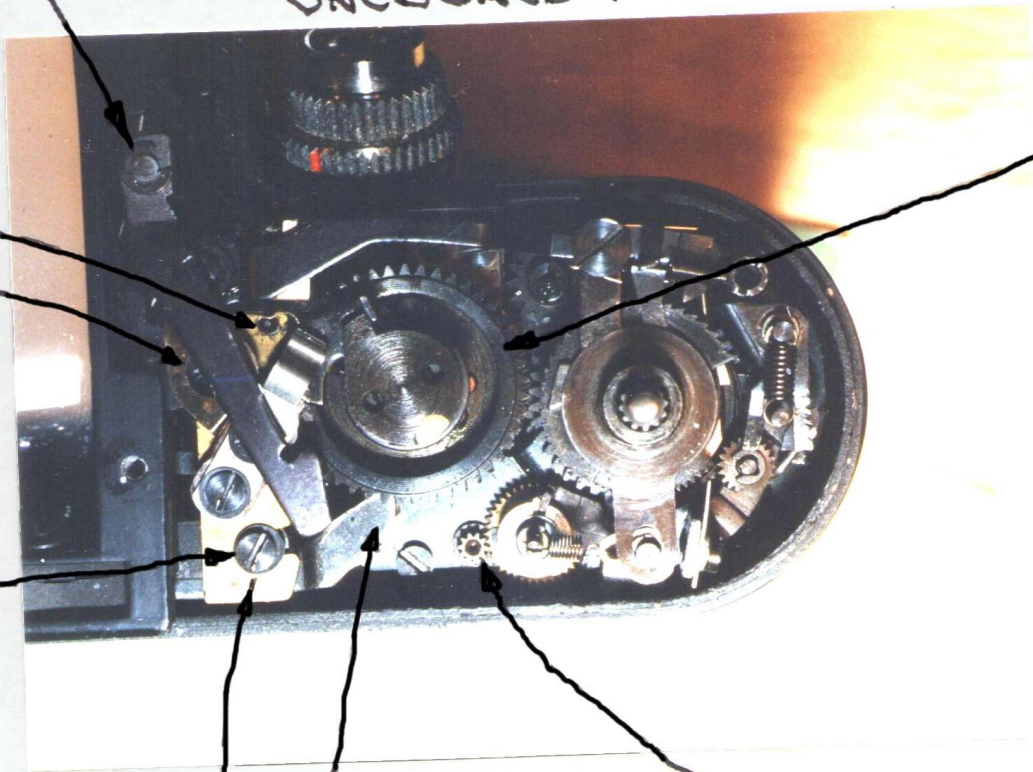
#1 SCREW

CURTAIN
SPINDLE TOP
BEARING
PLATE

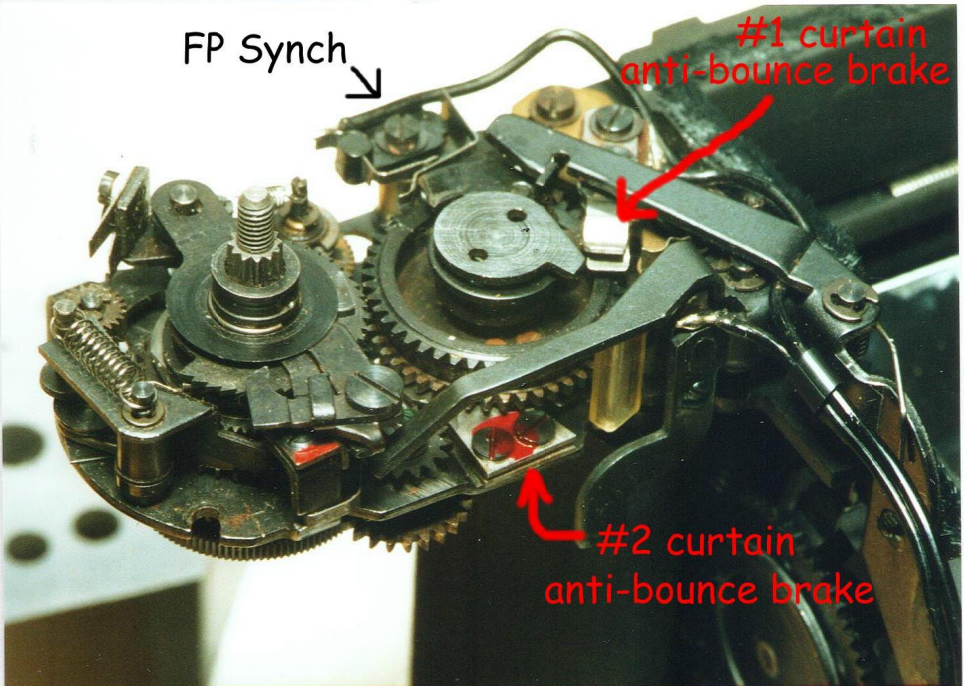
END OF
TIMING
LEVER

FRAME SPACING
ROLLER

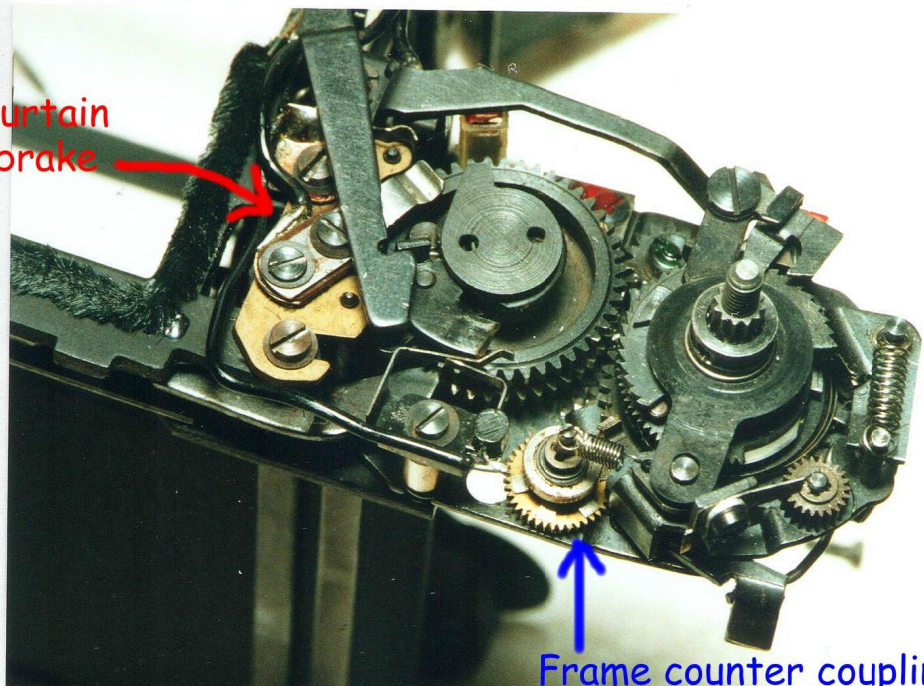
(Pentaccon Six only -
not on Praktisix)



10/20/2002
PENTACON SIX TL



X synch in #1 curtain anti-bounce brake



Frame counter coupling gear
- this cam controls frame spacing

