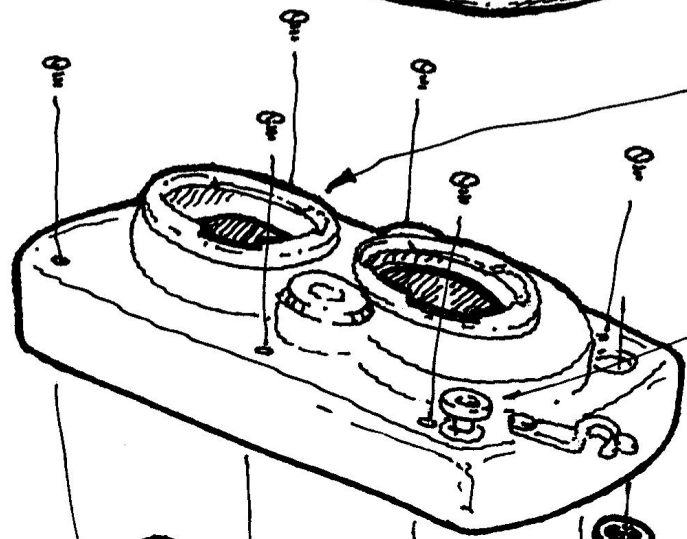
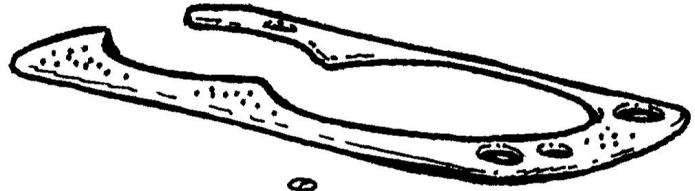


11.17.07

1

# ROWEIFLEX 2.8A

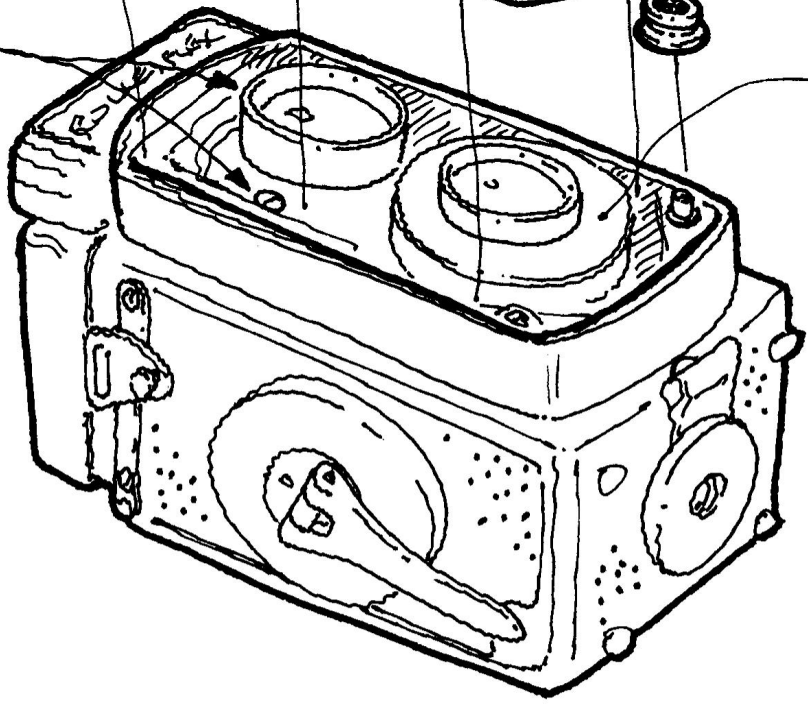


ST LEVER STAYS ON PANEL. ALIGN CAREFULLY AT REASSEMBLY

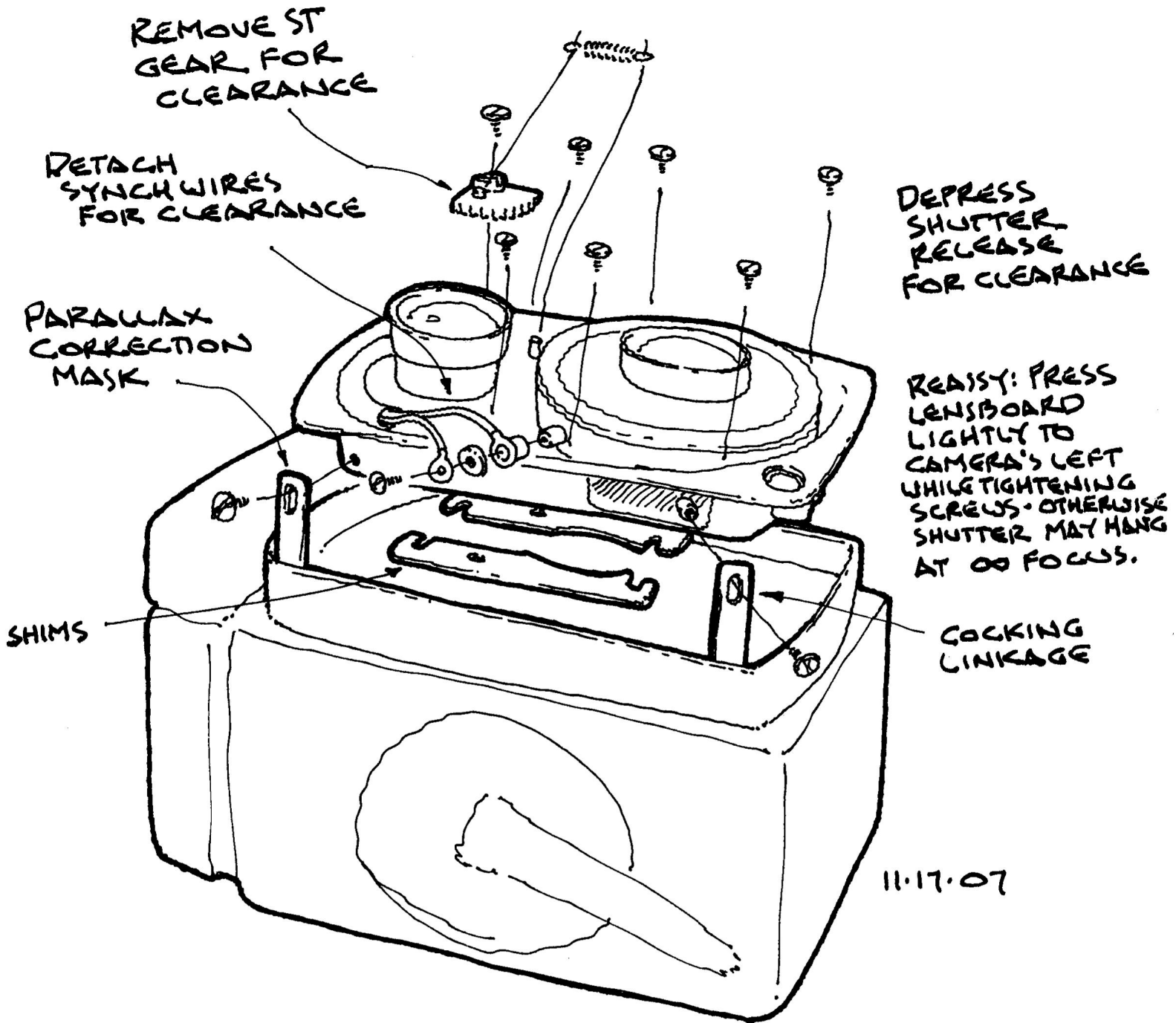
SR BUTTON STAYS ON PANEL

3 SCREWS LOCK VIEWING LENS FOCUS. LOOSEN TO ROTATE LENS.

SEE 2.8C FOR SHUTTER DETAILS

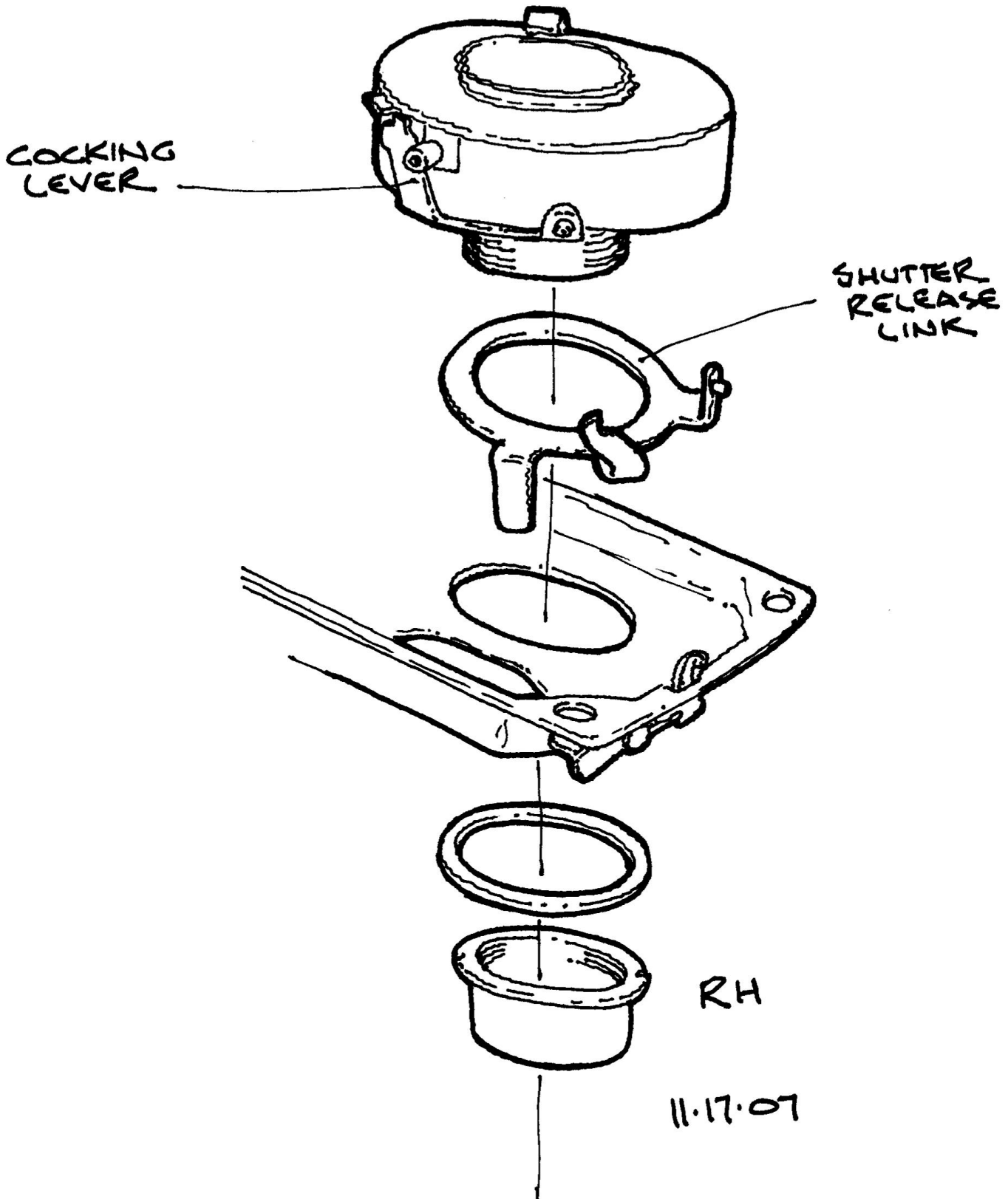


# ROWEIFLEX 2.8A

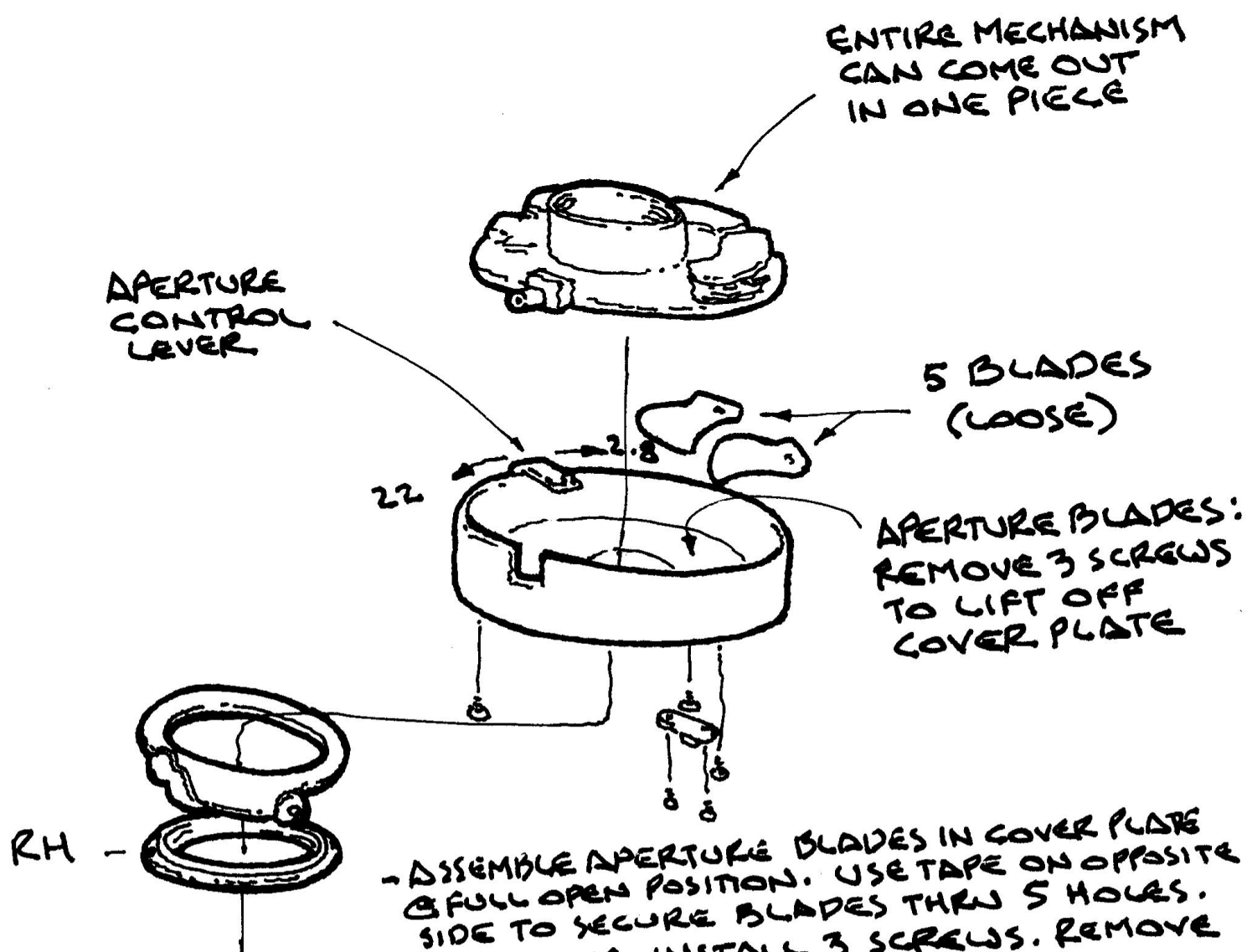


11.17.07

# Roweiflex 2.8A



# ROWEIFLEX 2:8A SHUTTER & APERTURE BLADES



- ASSEMBLE APERTURE BLADES IN COVER PLATE @ FULL OPEN POSITION. USE TAPE ON OPPOSITE SIDE TO SECURE BLADES THRU 5 HOLES.
- SET IN PLACE, INSTALL 3 SCREWS. REMOVE TAPE. CLOSE & REOPEN APERTURE.
- IF A BLADE IS OUT OF PLACE, LOOSEN NEAREST SCREW & SLIDE BLADE INTO LINE WITH OTHERS. IT WILL CLICK WHEN PIN DROPS INTO SLOT. RETIGHTEN SCREWS.

